

Inserting an Oxygen Cylinder



Disclaimer

A series of booklets has been developed by the Clinical Skills Lab team (staff, recent graduates and students) from the School of Veterinary Sciences, University of Bristol, UK.

Please note:

- Each booklet illustrates one way to perform a skill and it is acknowledged that there are often other approaches. Before using the booklets students should check with their university or college whether the approach illustrated is acceptable in their context or whether an alternative method should be used.
- The booklets are made available in good faith and may be subject to changes.
- In using these booklets you must adopt safe working procedures and take your own risk assessments, checked by your university, college etc. The University of Bristol will not be liable for any loss or damage resulting from failure to adhere to such practices.

This work is under the Creative Commons Attribution-NonCommercial-NoDerivatives 4.0 International License.



© The University of Bristol, 2017



University of
BRISTOL

Year Group: BVSc3 +



Equipment for this station:

- Oxygen cylinder
- Anaesthetic machine
- Cylinder spindle key

Considerations for this station:

- This booklet is for reference only; in the Clinical Skills Lab **DO NOT** attempt to **remove the oxygen cylinders** from the anaesthetic machine
- Handling compressed gases can be dangerous and can cause burns and explosions

Anyone working in the Clinical Skills Lab must read the 'CSL_I01 Induction' and agree to abide by the 'CSL_I00 House Rules' & 'CSL_I02 Lab Area Rules'

Please inform a member of staff if equipment is damaged or about to run out.



Clinical Skills: Inserting an Oxygen Cylinder



1 Hold the oxygen cylinder between your legs to prevent it from falling over.



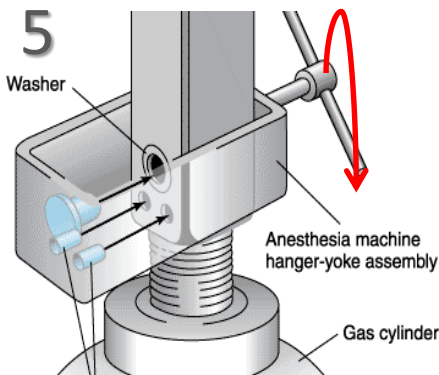
2 Pull the red strip with the white arrows to remove the outer film.



3 Remove the red plastic from the neck of the oxygen cylinder.



4 Do not hold the cylinder with your hands covering the holes on the neck. If there is grease or hand cream or alcohol on your hands this can be transferred. Mixing flammable substances with high pressure oxygen can be dangerous.



5 Load the cylinder into the yoke. The pins in the yoke will match up exactly with the holes in the cylinder valve (N.B. Cylinders containing different gases have different pin positions). Do not try to force a cylinder into a yoke where the pins do not match. The pin index system is designed to prevent the mixing of incompatible gases. Tighten the key (red arrow above) by turning it clockwise to lock the cylinder in place.



6 Turn the cylinder on using the spindle key. With the 'ON' surface facing up make two slow turns. Check that the cylinder is full by checking the gauge.

Useful information about safe handling of cylinders is available at:

<http://www.boconline.co.uk/en/health-and-safety/gas-safety/cylinder-safety/index.html>



University of
BRISTOL

Resetting the station: Inserting an Oxygen Cylinder

Please note:

- There is no need to reset the station
- This booklet is for reference only
- In the Clinical Skills Lab **DO NOT** attempt to **remove the oxygen cylinders** from the anaesthetic machine

